

PANNELLOFILOMURO

direttamente dalla fabbrica a casa tua

MADE
IN
ITALY

www.invisible-door.com

Door: product description

The invisible Invisible-door door is the ideal product for a seamless wall to door continuity, thanks to a frame perfectly integrated with both masonry and plasterboard, to the use of invisible adjustable hinges and total lack of external door frames. It is proposed standard with a protective water based prime coat, leaving up to the client or designer's expressive freedom the decision if finishing it like the wall it is built in or enhancing its geometry with special finishing and covering. Upon request the door is supplied lacquered or in wood.

Technical features and details

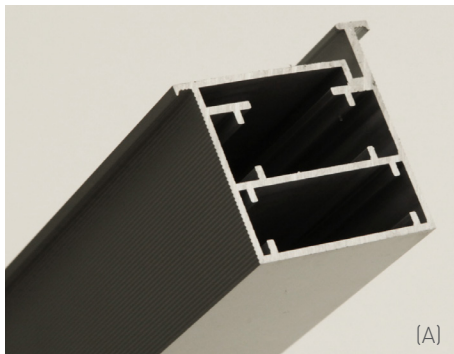
The single Invisible-door frame perfectly integrates with masonry and plasterboard walls of any thickness and allows for door installation with both opening swing directions.

The press-drawn section (A) is in anodised aluminium, alloy 6060, and satin silver finished. It is supplied with a gasket on all 3 door slams.

The 53 mm thick panel is produced in veneered wood with solid wood on the sides and honeycomb wood core. It is completed with two panels in smoothed mdf. The panel is pre-drilled and ready for hinges. Assemblage is carried out with water binders.

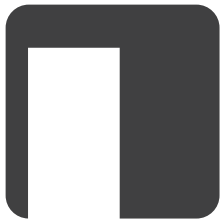
The standard equipped magnetic lock (B) prevents the frame to be scratched due to the friction of the lock latch used in traditional locks. You may choose the model with lock only for the utmost neat design or the model equipped with key or pin to protect your privacy.

Adjustable hinges (C) come standard on Invisible-door doors and access panels enabling to keep doors perfectly aligned thanks to easy adjustment of proper regulators.



Available sizes and models

The Invisible-door is available in standard sizes (60-70-80 cm width and 210 cm height), guaranteeing maximum convenience, and in customized sizes for total design freedom. Full height models are also available, as well as models without girder and hinged and double door panel types.



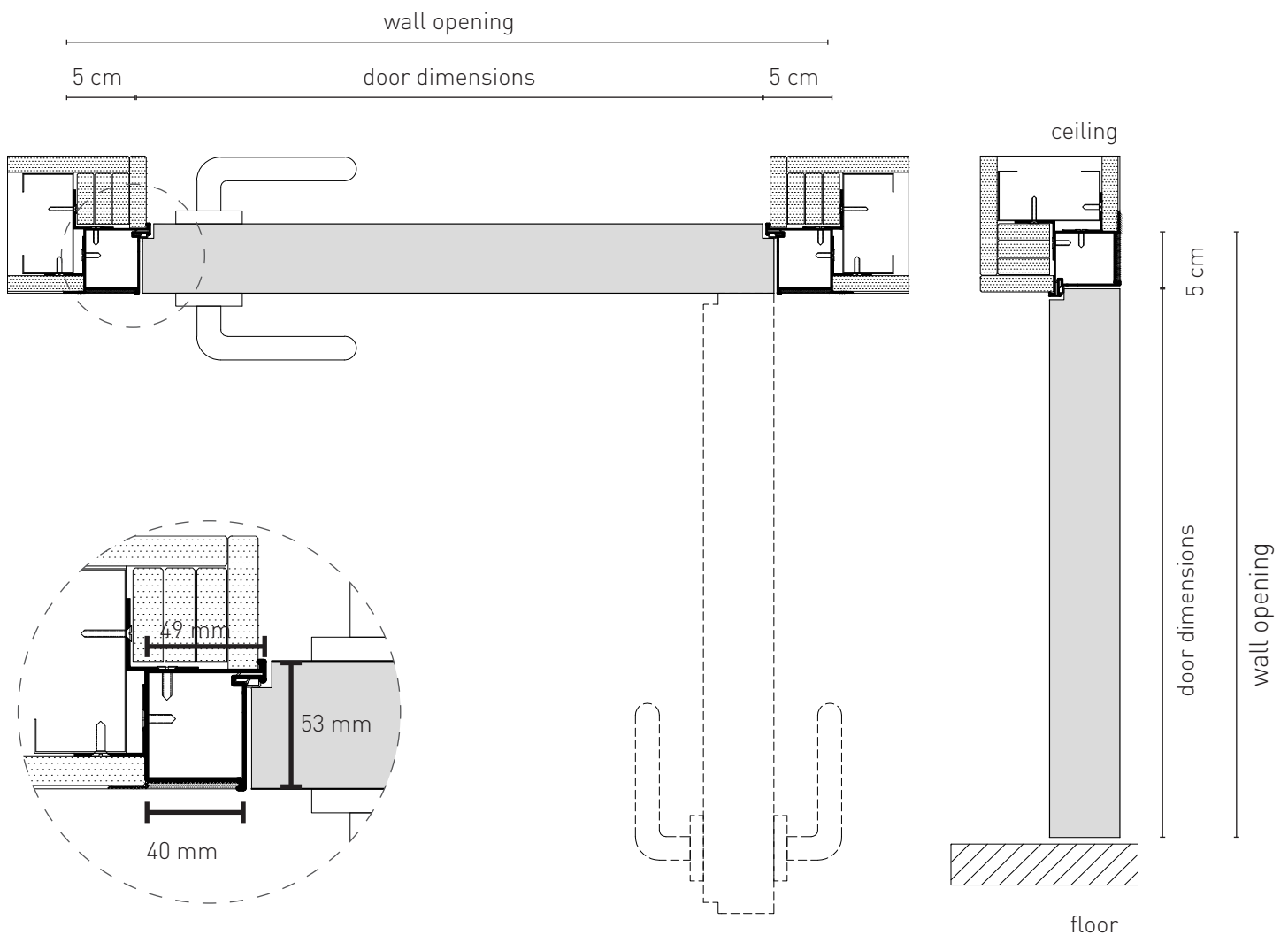
PANNELLOFILOMURO

direttamente dalla fabbrica a casa tua

MADE
IN
ITALY

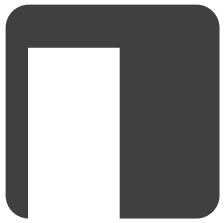
www.invisible-door.com

Door: door panel and frame dimensions



Maximum outer frame overall sizes (wall opening needed) are **+10 cm** in width and **+5 cm** in height, with respect to the door sizes that defines the net door dimensions.

Ex: if you choose a door for an opening of **80 x 210 cm** the maximum overall dimensions of the frame will be **90 x 215 cm**.



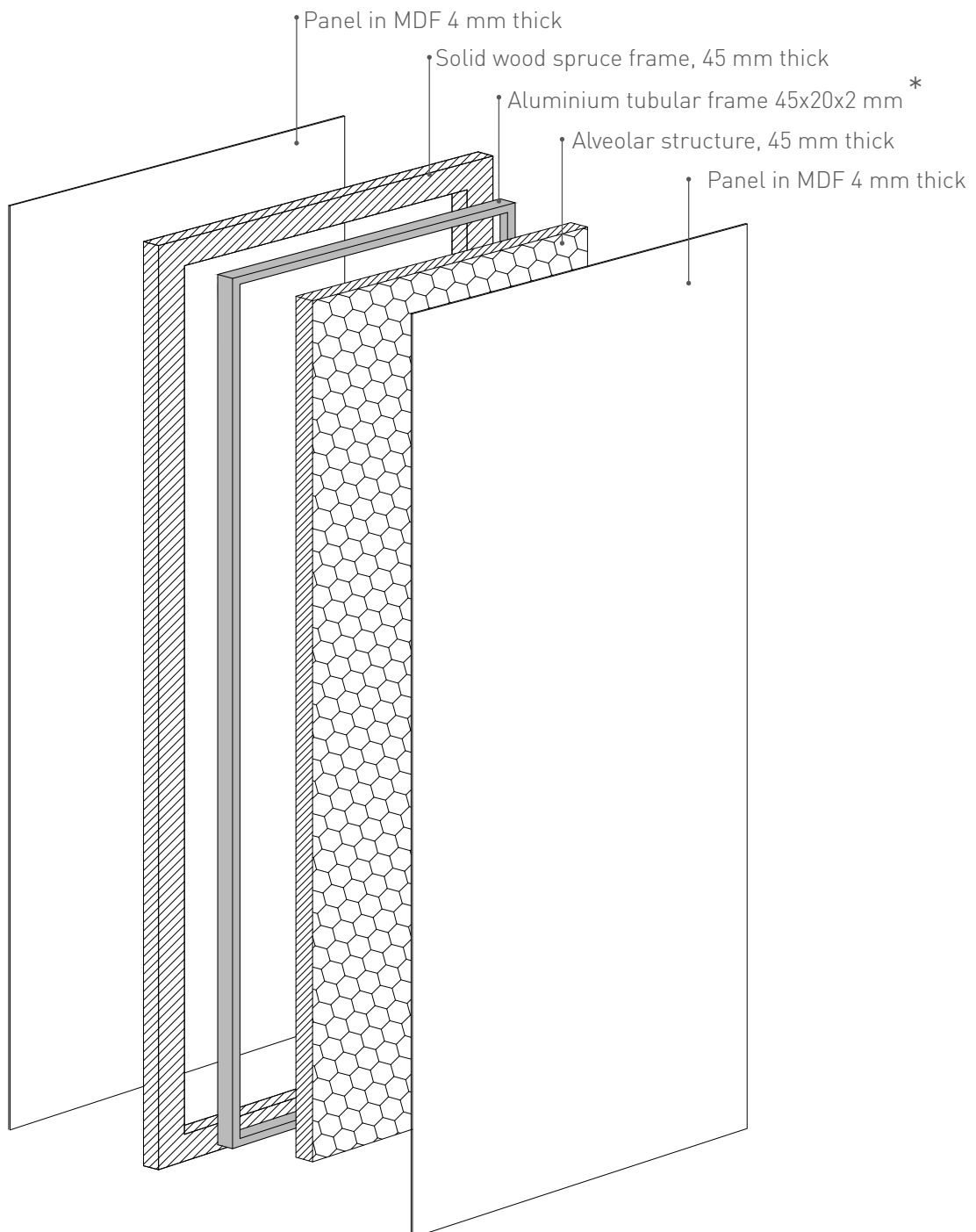
PANNELLOFILOMURO

direttamente dalla fabbrica a casa tua

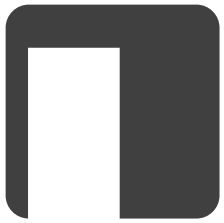
MADE
IN
ITALY

www.invisible-door.com

Door: exploded view of the door leaf



* The aluminium tubular frame guarantees perfect flatness to large-sized doors and it is installed only on off measure panels **of a width exceeding 85 cm and/or height exceeding 225 cm.**



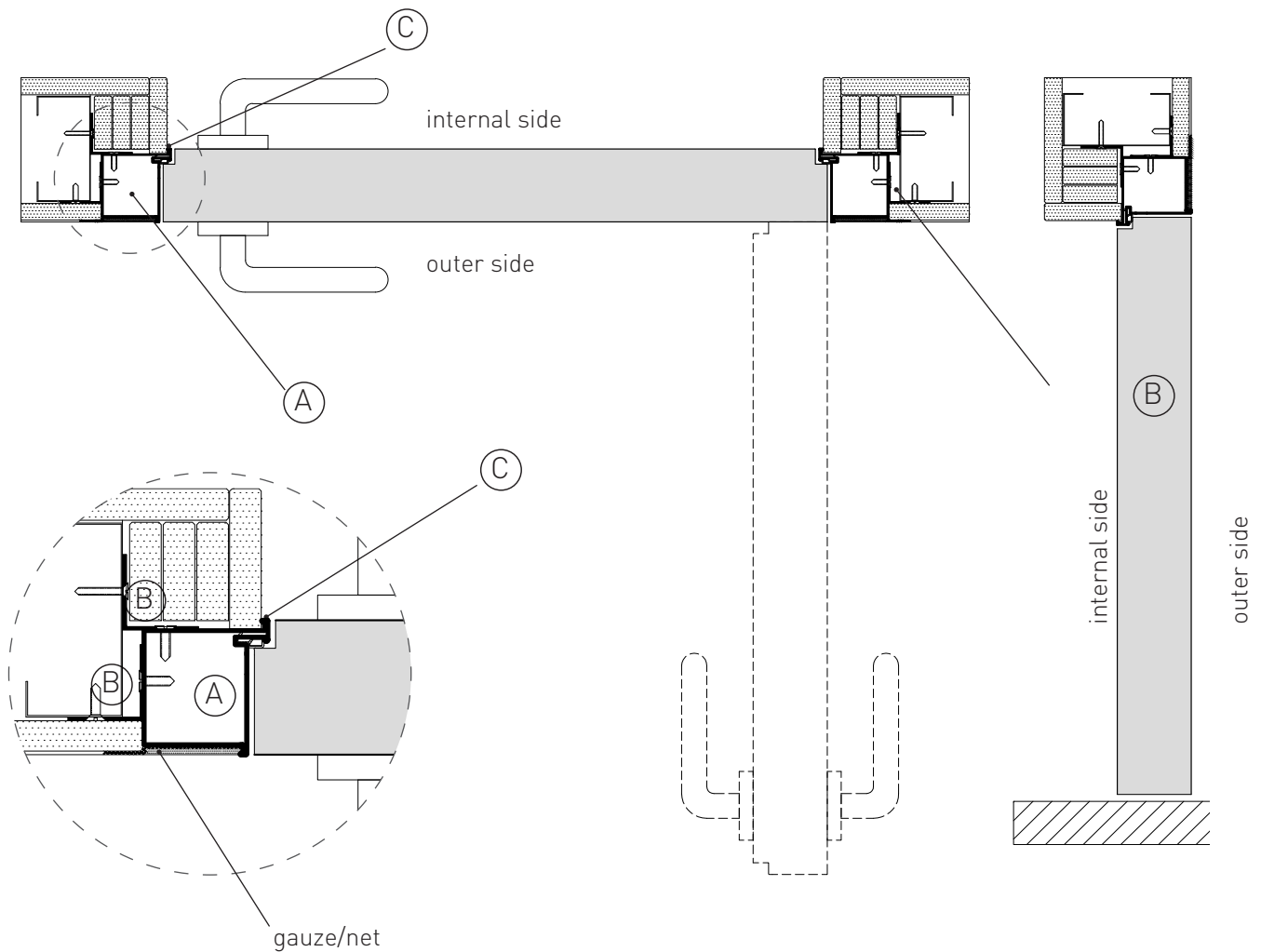
PANNELLOFILOMURO

direttamente dalla fabbrica a casa tua

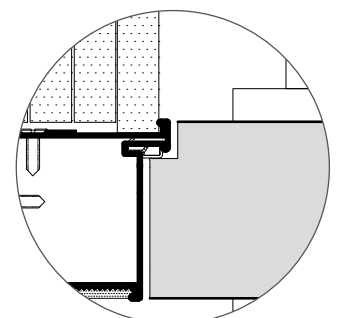
MADE
IN
ITALY

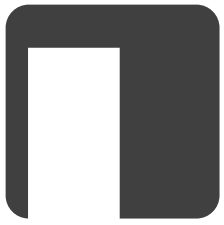
www.invisible-door.com

Door: Installation instructions - plasterboard



- Insert the frame "A" in the wall space so that the plasterboard sheet is aligned with the outer side of the frame.
- Before fixing it, check the perfect flatness of the frame using the plumb line.
- Fix the frame with the clamping brackets "B" already placed taking care that the frame is flat and plumbed. N.B.: On the internal side make sure that the aluminium profile overlaps the plasterboard (detail "C").
- Place carefully the gauze and the filler on the attachments between the plasterboard and the aluminium frame.
- Insert the door panel screwing the hinges to the holes on the frame.
- Shim the door panel at the bottom in order to adjust the hinges without any weight bearing on them.
- Remove the wedge and install the handles provided.





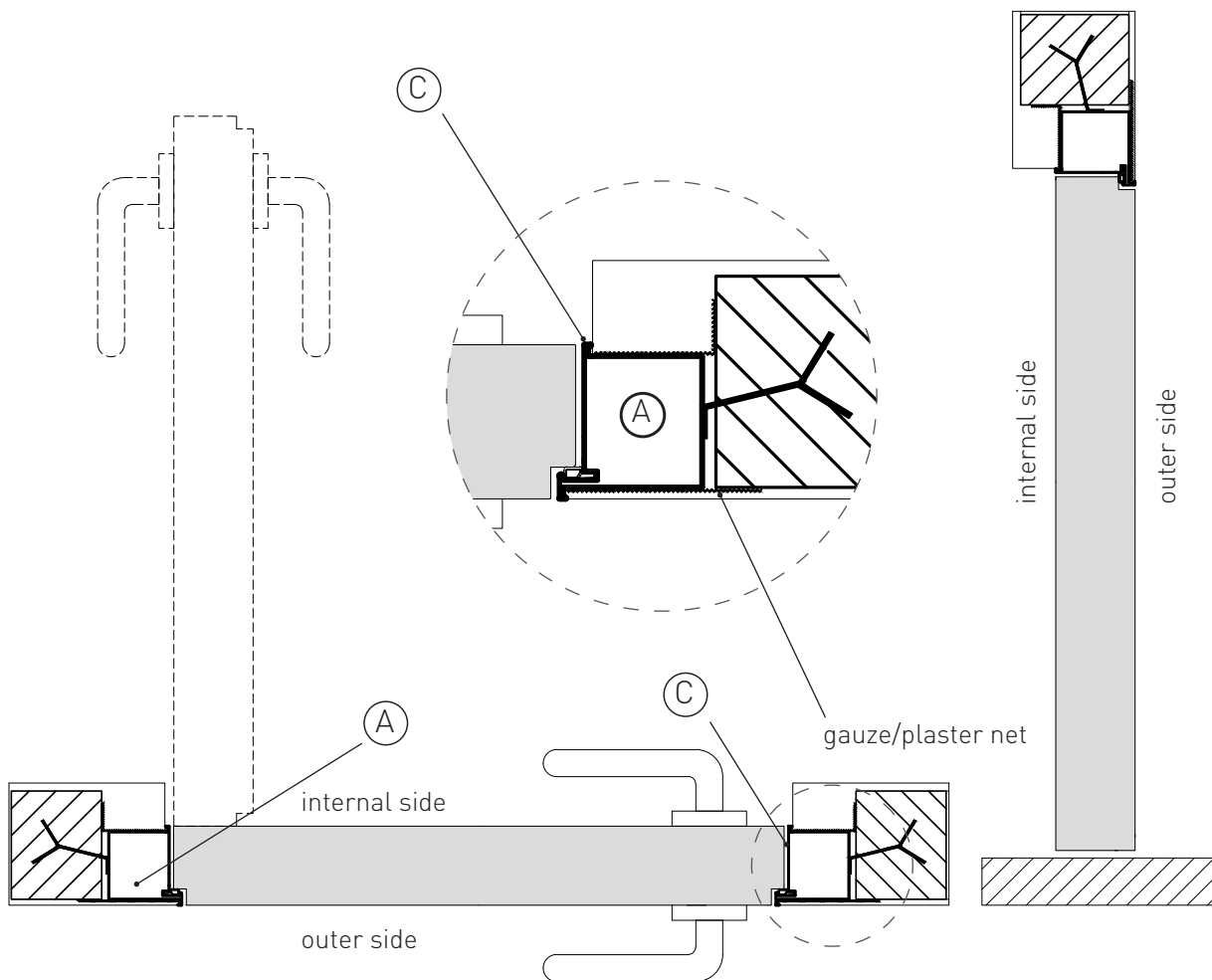
PANNELLOFILOMURO

direttamente dalla fabbrica a casa tua

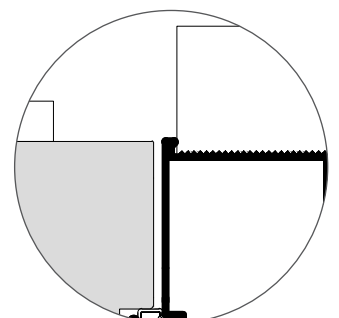
MADE
IN
ITALY

www.invisible-door.com

Door: Installation instructions - masonry



- Install the frame "A" in the wall space taking care of walling it in level in height (both on the right and the left) and in width.
- Wall the anchors pre-installed on the frame. N.B.: On the internal side take care that the aluminium profile overlaps the plaster (detail C).
- Place the gauze and filler carefully on the attachments between the masonry and the aluminium frame.
- Insert the door panel screwing the hinges on the holes of the frame.
- Shim the door panel at the bottom in order to adjust the hinges without any weight bearing on them.
- Remove the wedge and install the handles provided.



detail "C"